



Heat Alarm - HD135

[Find a Retailer](#)

The Kidde HD135F is a 120VAC Wire In Heat Alarm that responds to temperature rather than smoke.

- The Kidde HD135F 120VAC wire in heat alarm gives you and your family an early warning to dangerous temperatures of 135°F or more
- This unit also includes a tamper resist pin that helps to deter thief and tampering.
- This unit can be used as a single station unit or it can be interconnected to up to 24 Kidde devices in a multiple station arrangement

Technical Specifications

Model:	HD135F
UPC Number:	0-25417-84135-0
Power Source:	120VAC, 60HZ, 9V battery backup
Sensor:	Heat
Audio Alarm:	85dB at 10ft
Temperature Range:	-20F to +100F (-29C and +38C)
Humidity Range:	5%-95% relative humidity (RH)
Size:	5" in diameter x 2" depth
Weight:	.75lbs
Interconnects:	Up to 24 Kidde devices of which 18 can be initiating devices.
LED:	Green, AC power present, alarm mode; flashing Red indicates originating unit
Warranty:	5 year limited warranty

135°F Fixed Temperature Heat Alarm

Applications

The HD135 heat alarm is for use as a warning device in residential applications. Each alarm has a solid state piezo signal to warn and alert the household to the presence of threatening heat.

The HD135 alarm is designed to detect heat that results from an actual fire. Heat alarms are intended for use as supplements to smoke alarms. This unit cannot detect smoke or toxic gases, therefore, do not rely solely on this heat alarm to provide a warning of fire.

In the event AC power fails, a 9VDC battery will provide proper alarm operation for a minimum of a 24-hour period.

HD135 SERIES



Standard Features

- Available in 120VAC and 220VAC with 9VDC battery back-up
- Horn frequency 3100Hz (nominal)
- 135°F fixed temperature
- HD135 and HD135-223 has 90dBA temporal 3 piezo horn
- 1 year warranty from date of purchase
- Solid-state LED condition indicator
- Quick-disconnect wiring harness
- Tandem interconnect with current Gentex alarm models
- Easy Wash® - On-site maintenance washing program
- Mounting hardware adapts to standard junction boxes
- Low or missing battery indicator



**Easy Wash® -
On Site
Maintenance
Program**

Product Listings

SIGNALING



LISTED



- ANSI/UL 539
- CSFM # 7254-0569:0142
- BFP (City of Chicago)
- MEA: 285-91-E Vol. XV

Product Compliance

- NFPA 72
- IBC/IFC/IRC
- Quality Management System is certified to: ISO 9001:2008

Model Number	Part Number	Voltage	Temporal 3 Piezo Sounder
HD135	917-0023-002	120VAC	•
HD135-223	917-0055-002	220VAC	•

Electrical Specifications

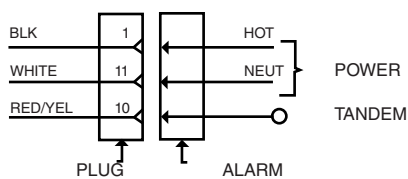
Operating Voltage (HD135).....	120VAC, 60Hz
Operating Voltage (HD135-223).....	220VAC, 50Hz
Operating Current.....	.035 amps
Operating Ambient Temp Range.....	0°F to 110°F (-18°C to 43°C)
Alarm Horn Rating.....	90dBA at 10 ft.
Size.....	Diameter at base: 5.75 in. (14.605 cm) Overall diameter: 6.5 in. (16.51 cm) Depth: 2.625 in. (6.6675 cm)
Secondary Power Source.....	Alkaline 9VDC Battery Duracell® MN 1604



HD135 SERIES

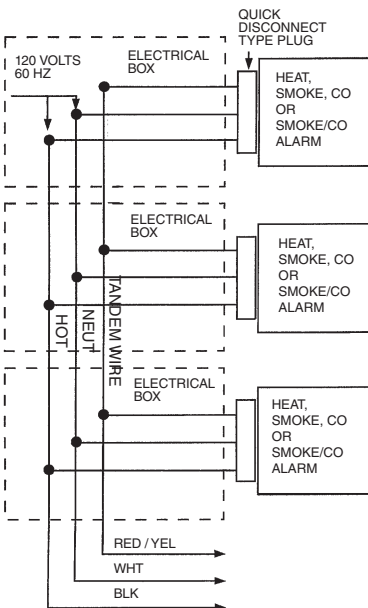
Wiring Diagrams

Heat Alarm Wiring Diagram



CAUTION
RED/YELLOW WIRE:
DO NOT REMOVE
INSULATION CAP
UNLESS CONNECTING
ANOTHER ALARM.

WIRING TWO OR MORE ALARMS



Tandem Installation

CAUTION: All alarms in a tandem installation must be controlled by the same fuse or circuit breaker. Otherwise tandem units will not operate. Tandem will operate in the event of an AC power failure if battery is connected to the alarm. **LIMITATIONS:** A heat alarm can be connected to a maximum of 12 smoke and 5 other heat or CO alarms, to total not more than 18 interconnected devices. Do not exceed 1125 feet between the first and last alarm. **NOTE:** A maximum of five (5) alarms of either model 9120/9123 and 7100/7103 with the relay options (F) and 3 heat alarms may be tandem interconnected. Wire used for interconnecting shall be in accordance with Article 300.3(b) and Article 210 of the National Electrical Code (NEC) and NFPA 70.

Architect & Engineering Specifications

The heat alarm shall be a Gentex Model HD135/HD135-223 or approved equal which shall provide at least the following features and functions.

- Nominal rating shall be 135°F fixed temperature.
 - The alarm shall utilize a bimetallic sensing element when the surrounding air temperature reaches 135°F, the unit will go into alarm.
 - The alarm shall have a 9VDC alkaline battery as a back-up in the event building power is lost.
 - The 9VDC battery impedance shall be verified by the circuit of the heat alarm.
 - The alarm shall provide an indicator when the battery is low in power or high impedance or is missing.
 - A solid state piezo alarm rated at 90dBA at 10ft.
 - A visual LED monitor (condition indicator) will slow pulse in normal operation and rapid pulse in alarm.
 - The alarm shall have tandem capabilities of up to 18 units.
 - Can be interconnected with AC alarms, Gentex GN-200/GN-203, GN-300/GN-303, CO1209, GN-503, S1209, 9120/9123, 7100/7103, 710CS/7109CS, 713CS/7139CS, 9220/9223 and 7200/7203 alarm series, or other Gentex HD135 units.
 - The manufacturer shall provide other compatible heat alarm models or smoke alarm models with the following optional features: a) 135°F isolated thermal with normally opened contact for remote connection to local alarm or annunciator; b) 135°F integral thermal; c) auxiliary Form A/Form C relay contact for initiating remote functions and annunciation; d) relay option that is capable of activation by tandem interconnect wire. Thermal sensor shall be self-restoring.
 - Unit must be ANSI/UL 539 listed for both wall and ceiling mount.
 - Unit shall also meet all requirements of the State of California Fire Marshal.
- All equipment shall be completely factory assembled, wired and tested, and the contractor shall be prepared to submit a certified letter testifying to this condition.
- Heat alarms which do not meet all of the requirements of this specification will not be considered.

24 units per carton
34 pounds per carton

GENTEX CORPORATION

Fire Protection Products Group • www.gentex.com
10985 Chicago Drive • Zeeland, Michigan 49464
616.392.7195 • 1.800.436.8391 • 616.392.4219 Fax

Gentex Corporation reserves the right to make changes to the product data sheet at their discretion.

Important Notice:

These materials have been prepared by Gentex Corporation ("Gentex") for informational purposes only, are necessarily summary, and are not purported to serve as legal advice and should not be used as such. Gentex makes no representations and warranties, express or implied, that these materials are complete and accurate, up-to-date, or in compliance with all relevant local, state and federal laws, regulations and rules. The materials do not address all legal considerations as there is inevitable uncertainty regarding interpretation of laws, regulations and rules and the application of such laws, regulations and rules to particular fact patterns. Each person's activities can differently affect the obligations that exist under applicable laws, regulations or rules. Therefore, these materials should be used only for informational purposes and should not be used as a substitute for seeking professional legal advice. Gentex will not be responsible for any action or failure to act in reliance upon the information contained in this material.

551-0041-03