

► Models LWMB2 and LCMB2

Light Mounting Kits



Models LWMB2 (wall) and LCMB2 (corner) mounting brackets are specifically designed for use with Federal Signal's warning lights to provide an easy and consistent means of mounting lights throughout a facility.

These mounting brackets are constructed of durable cast aluminum and sealed with gray powder coat paint. These units can be wired through the back of the bracket for electrical box mounting or through the threaded hole in the base for external 1/2-inch conduit connection. Each kit includes a bracket, plate and mounting screws.

Easy installation and a heavy-duty construction make the brackets ideal for use in commercial, institution and industrial environments. Suitable for any Type 3R application in safe area applications.

The LCMB2 and LWMB2 mounting kits may be used with the following Federal Signal models: 121SLED*, 131DST, 131ST, 141ST, 225*, 371LED*, AV1LED, AV1ST, FB24ST*, FB2PST*, FB24STHI*, FB24STHI-CN*, FB2LED* and FB24ST*.

* LWMB2 and LCMB2 are 3R Rated. In combination with a 4X Rated unit, the product defaults to 3R. When Type 4X is required, use model LSWB.

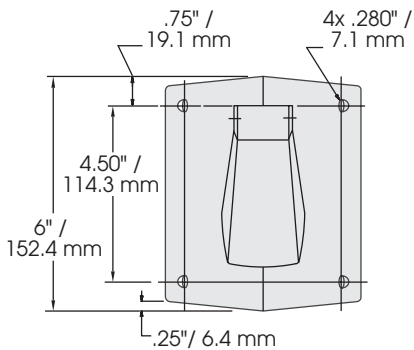
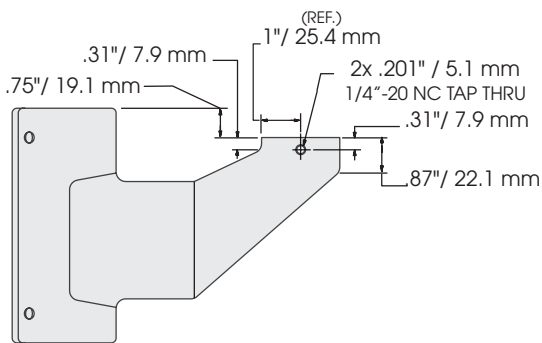
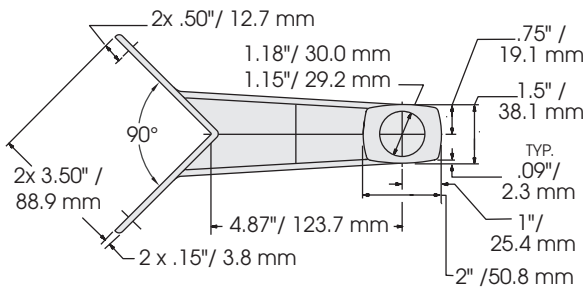
FEATURES

- Heavy-duty construction
- Easy installation
- For walls and outside corners
- Replaces unsightly and hazardous makeshift supports
- 1/2-inch, 3/4-inch and 1-inch NPT pipe mount
- Indoor and outdoor use
- Type 3R rated

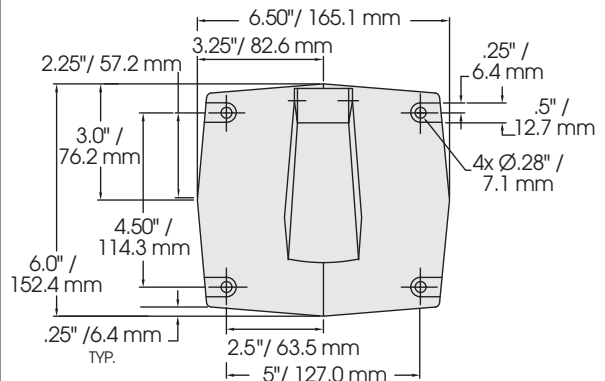
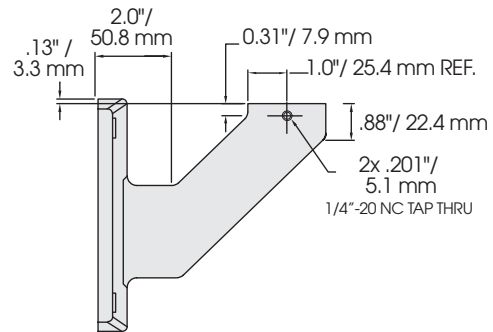
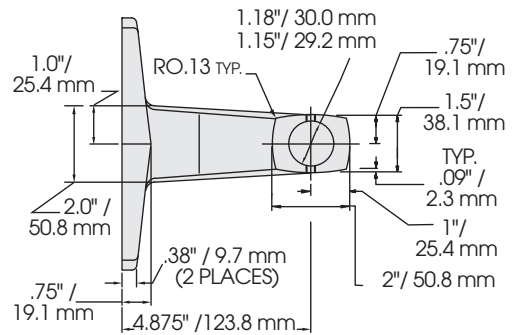
MODEL	HEIGHT	WIDTH	EXTENSION	NET WEIGHT	SHIPPING WEIGHT
LWMB2	6.0"	6.375"	5.875"	2.6 lbs	2.95 lbs
LCMB2	6.0"	5.000"	5.750"	2.3 lbs	2.50 lbs

Light Mounting Kits (LWMB2 and LCMB2)

LCMB2 – Corner Mount



LWMB2 – Wall Mount



HOW TO ORDER

Specify Model:

LCMB2 – Corner Bracket

LWMB2 – Wall Bracket

REPLACEMENT PARTS

Description

Bushing 1" x 3/4"

Bushing 1/2" x 3/4"

Part Number

K8459108A

K8459109B