



Main

| | |
|---------------------------|--|
| Range of product | Modicon X80 |
| Product or component type | Power supply module |
| Backplane compatibility | Not compatible with BMEXBP..02 |
| Primary voltage | 24 V isolated |
| Supply circuit type | DC |
| Secondary power | 16.8 W 24 V DC I/O module power supply and processor 8.3 W 3.3 V DC I/O module logic power supply |

Complementary

| | |
|--|---|
| Primary voltage limit | 18...31.2 V |
| Input current | 1 A 24 V |
| Inrush current | 30 A 24 V |
| I ² t on activation | 0.6 A ² .s 24 V |
| It on activation | 0.15 A.s 24 V |
| Protection type | Internal fuse not accessible primary circuit Overload protection secondary circuit, 24 V sensor power supply Overvoltage protection secondary circuit, 24 V sensor power supply Short-circuit protection secondary circuit, 24 V sensor power supply |
| Current at secondary voltage | 0.7 A 24 V DC I/O module power supply and processor 2.5 A 3.3 V DC I/O module logic power supply |
| Maximum power dissipation in W | 8.5 W |
| Status LED | Rack voltage OK 1 LED Green) |
| Control type | RESET push-button cold restart |
| Electrical connection | 1 connector 2 alarm relay 1 connector 5 line supply, protective earth, 24 V DC input sensor |
| Maximum cable distance between devices | 65.62 Ft (20 m) power supply cable copper 0.00 in ² (1.5 mm ²) 98.43 ft (30 m) power supply cable copper 0.00 in ² (2.5 mm ²) |
| Insulation resistance | >= 10 MOhm primary/ground >= 10 MOhm primary/secondary |
| Net Weight | 0.64 lb(US) (0.29 kg) |

Environment

| | |
|---------------------------------------|---|
| Immunity to microbreaks | 1 ms |
| Dielectric strength | 1500 V primary/ground 1500 V primary/secondary |
| Vibration resistance | 3 gn |
| Shock resistance | 30 gn |
| IP degree of protection | IP20 |
| Directives | 2014/35/EU - low voltage directive 2014/30/EU - electromagnetic compatibility 2012/19/EU - WEEE directive |
| Ambient air temperature for storage | -40...185 °F (-40...85 °C) |
| Ambient air temperature for operation | 32...140 °F (0...60 °C) |
| Relative humidity | 5...95 % 131 °F (55 °C) without condensation |
| Protective treatment | TC |
| Operating altitude | 0...2000 m 2000...5000 m with derating factor |

Ordering and shipping details

| | |
|-----------------------|-----------------------|
| Category | 18160 - MODICON M340 |
| Discount Schedule | PC34 |
| GTIN | 00785901476993 |
| Nbr. of units in pkg. | 1 |
| Package weight(Lbs) | 0.94 lb(US) (0.43 kg) |
| Returnability | Yes |
| Country of origin | ID |

Packing Units

| | |
|------------------------------|------------------------|
| Unit Type of Package 1 | PCE |
| Package 1 Height | 6.02 in (15.3 cm) |
| Package 1 width | 5.12 in (13 cm) |
| Package 1 Length | 6.10 in (15.5 cm) |
| Unit Type of Package 2 | S04 |
| Number of Units in Package 2 | 12 |
| Package 2 Weight | 15.10 lb(US) (6.85 kg) |
| Package 2 Height | 11.81 in (30 cm) |
| Package 2 width | 15.75 in (40 cm) |
| Package 2 Length | 23.62 in (60 cm) |
| Unit Type of Package 3 | P12 |
| Number of Units in Package 3 | 96 |
| Package 3 Weight | 127.87 lb(US) (58 kg) |
| Package 3 Height | 29.53 in (75 cm) |
| Package 3 width | 31.50 in (80 cm) |
| Package 3 Length | 47.24 in (120 cm) |

Offer Sustainability

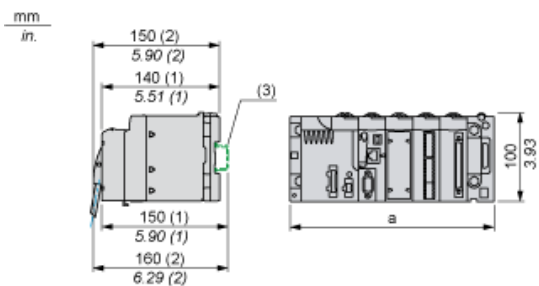
| | |
|----------------------------|---|
| Sustainable offer status | Green Premium product |
| California proposition 65 | WARNING: This product can expose you to chemicals including: Lead and lead compounds, which is known to the State of California to cause cancer and birth defects or other reproductive harm. For more information go to www.P65Warnings.ca.gov |
| REACH Regulation | REACH Declaration |
| EU RoHS Directive | Pro-active compliance (Product out of EU RoHS legal scope) EU RoHS Declaration |
| Mercury free | Yes |
| RoHS exemption information | Yes |
| China RoHS Regulation | China RoHS Declaration |
| Environmental Disclosure | Product Environmental Profile |
| Circularity Profile | End Of Life Information |
| WEEE | The product must be disposed on European Union markets following specific waste collection and never end up in rubbish bins. |

Contractual warranty

| | |
|----------|-----------|
| Warranty | 18 months |
|----------|-----------|

Modules Mounted on Racks

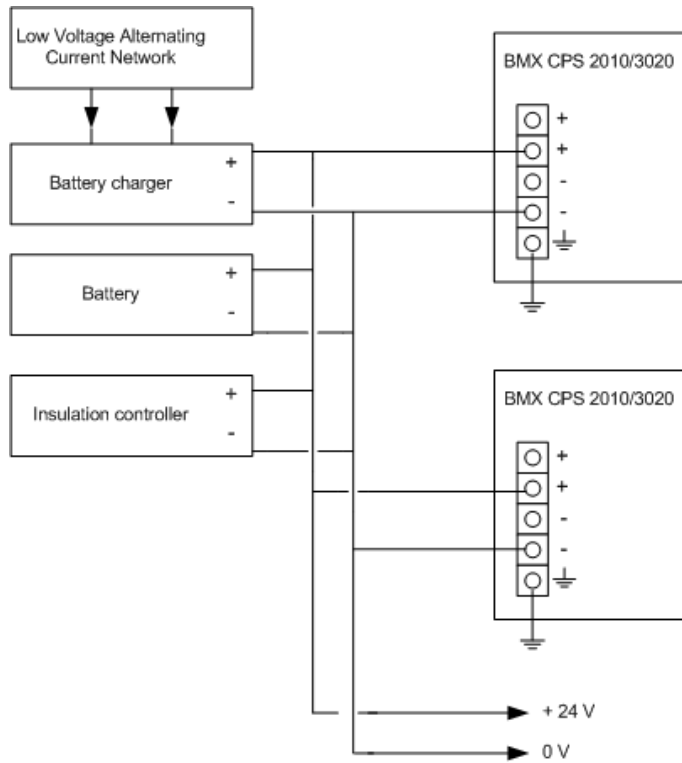
Dimensions



- (1) With removable terminal block (cage, screw or spring).
- (2) With FCN connector.
- (3) On AM1 ED rail: 35 mm wide, 15 mm deep. Only possible with BMXXBP0400/0400H/0600/0600H/0800/0800H rack.

| Rack references | a in mm | a in in. |
|----------------------------|---------|----------|
| BMXXBP0400 and BMXXBP0400H | 242.4 | 09.54 |
| BMXXBP0600 and BMXXBP0600H | 307.6 | 12.11 |
| BMXXBP0800 and BMXXBP0800H | 372.8 | 14.68 |
| BMXXBP1200 and BMXXBP1200H | 503.2 | 19.81 |

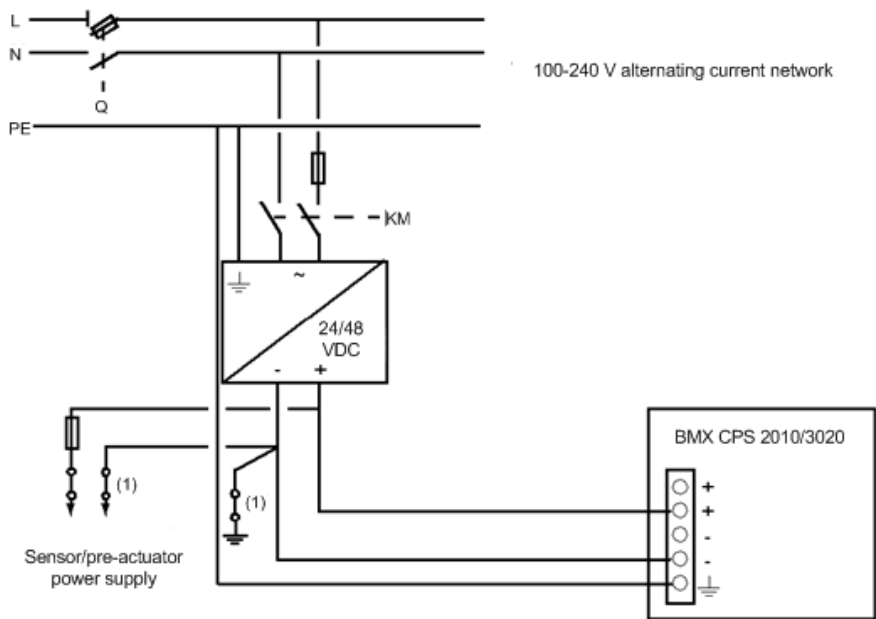
Connection of Direct Current Power Supply Modules to a 24 Vdc or 48 Vdc Floating Direct Current Network



24 VDC floating network for the power supply of sensors, actuators and input/out modules.

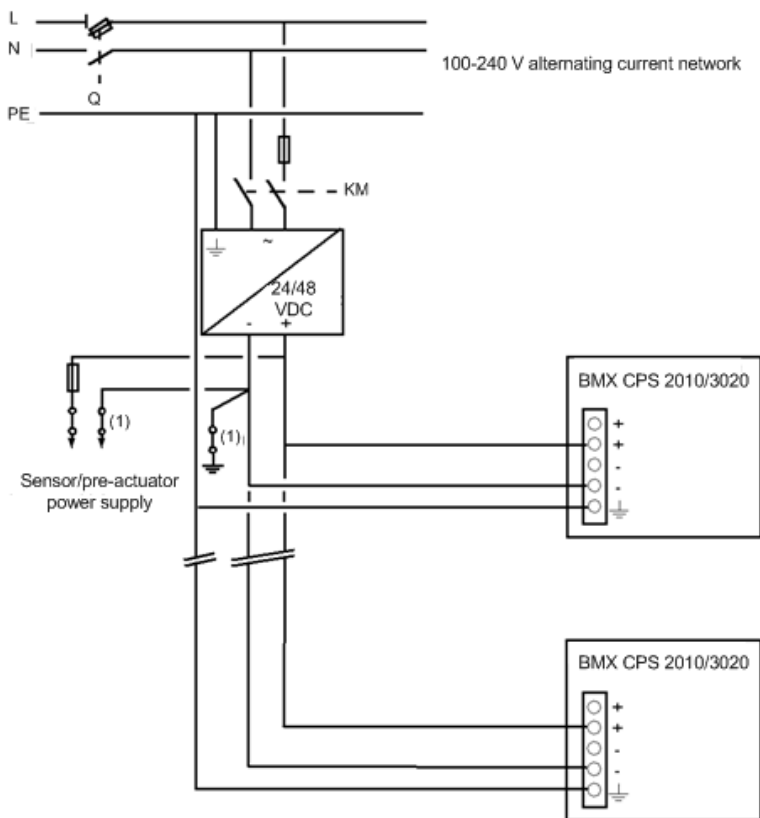
Connection of Direct Current Power Supply Modules to an Alternating Current Network

Connection of a Single Rack PLC Station



- Q General isolator
- KM Line contactor or circuit breaker
- (1) Insulation connector bar for locating grounding errors

Connection of a Multi-Rack PLC Station



- Q General isolator
- KM Line contactor or circuit breaker
- (1) Insulation connector bar for locating grounding errors