

QuickPort® Field-Configurable Patch Block

APPLICATION

The Leviton QuickPort Field-Configurable Patch Block is ideal for wall-mount applications requiring a compact cross-connect block with a small number of field-configurable ports. The QuickPort Patch Block holds up to twelve connectors, and is useful where low-cost, add-as-you-go flexibility is desired.



SPECIFICATION

The patch block shall provide 12 ports that can be configured and/or changed individually, and accept QuickPort connectors. The patch block material shall be 14-gauge steel with a black powder coat. All plastic parts shall be high-impact fire-retardant plastic rated UL94V-0. The patch block shall include white label positioning blocks and be wall mountable on an industry-standard 89-D bracket. Colors and configurations to be specified per schedule on plan.

FEATURES

- Compact block is ideal for wall-mount applications
- Innovative design supports add-as-you-go flexibility

DESIGN CONSIDERATIONS

- Verify cable pathway in closet
- Recommend that blocks be arranged to allow for future growth
- Port ID can be achieved by using machine-printed, adhesive labels or using different connector colors to color-code the ports
- 89-D mounting bracket (40089-00D) and QuickPort snap-in connectors are sold separately
- Four blanks are included (color: black)

STANDARDS COMPLIANCE

- ANSI/TIA-568-C
- cULus Listed

PHYSICAL SPECIFICATIONS

Dimensions: See page two
Capacity: 12 ports
Materials: Panels are 14-gauge steel, painted black. Plastic connector housings are black fire-retardant plastic rated UL 94V-0, with white label positioning blocks.

COUNTRY OF ORIGIN

USA

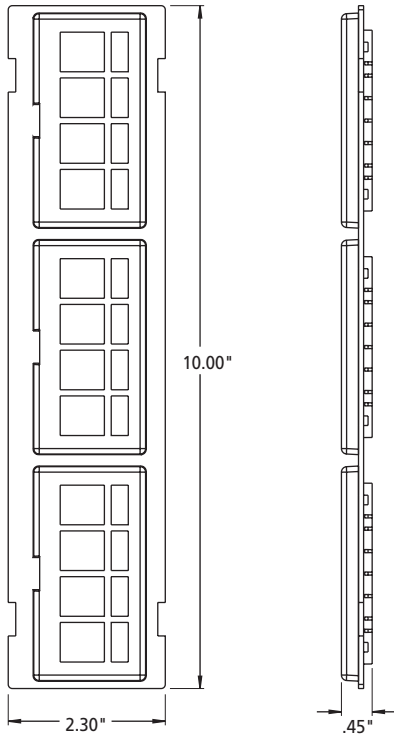
WARRANTY INFORMATION

For a copy of Leviton product warranties, visit www.leviton.com/warranty.

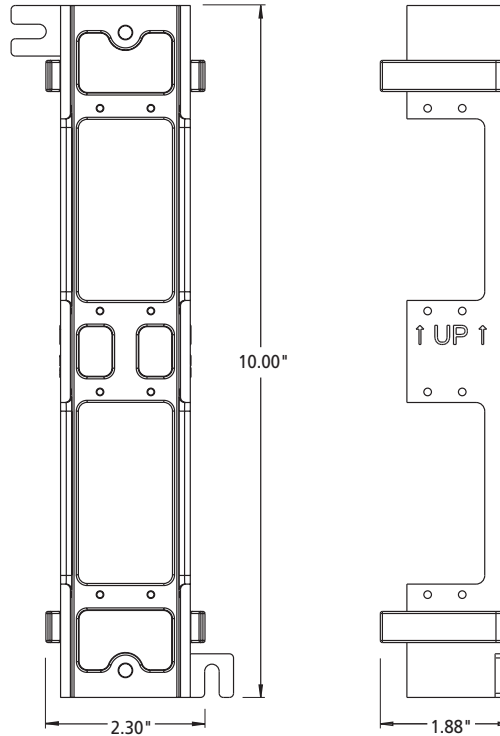
49255-Q89, 40089-00D

ELECTRONIC FILES

For CAD files, typical specs, or technical drawings (.DXF, .DWG), visit www.leviton.com.



49255-Q89



40089-00D (Available separately)

49255-Q89, 40089-00D

PART NUMBERS

| Description | Part No. |
|---|-----------|
| QuickPort® Field-Configurable Patch Block, 12 ports | 49255-Q89 |
| QuickPort Patch Block 89D Mounting Bracket (available separately) | 40089-00D |



Leviton Network Solutions
 2222 - 222nd St. SE
 Bothell, WA 98021-4416

Asia / Pacific
 T +1.631.812.6228
 E infoasean@leviton.com

Canada
 T +1.514.954.1840
 E pcservice@leviton.com

Caribbean
 T +1.954.593.1896
 E infocaribbean@leviton.com

China
 T +852.2774.9876
 E infochina@leviton.com

Colombia
 T +57.1.743.6045
 E infocolombia@leviton.com

tel 1-800-824-3005
 tel +1-425-486-2222
appeng@leviton.com
www.leviton.com

Europe
 T +33.6.8869.1380
 E infoeurope@leviton.com

India / SAARC
 T +971.4.886.4722
 E infoindia@leviton.com

Mexico
 T +52.55.5082.1040
 E lsamarketing@leviton.com

Middle East & Africa
 T +971.4.886.4722
 E lmeinfo@leviton.com

South Korea
 T +82.2.3273.9963
 E infokorea@leviton.com