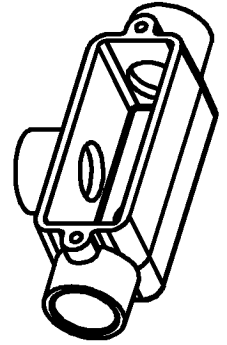
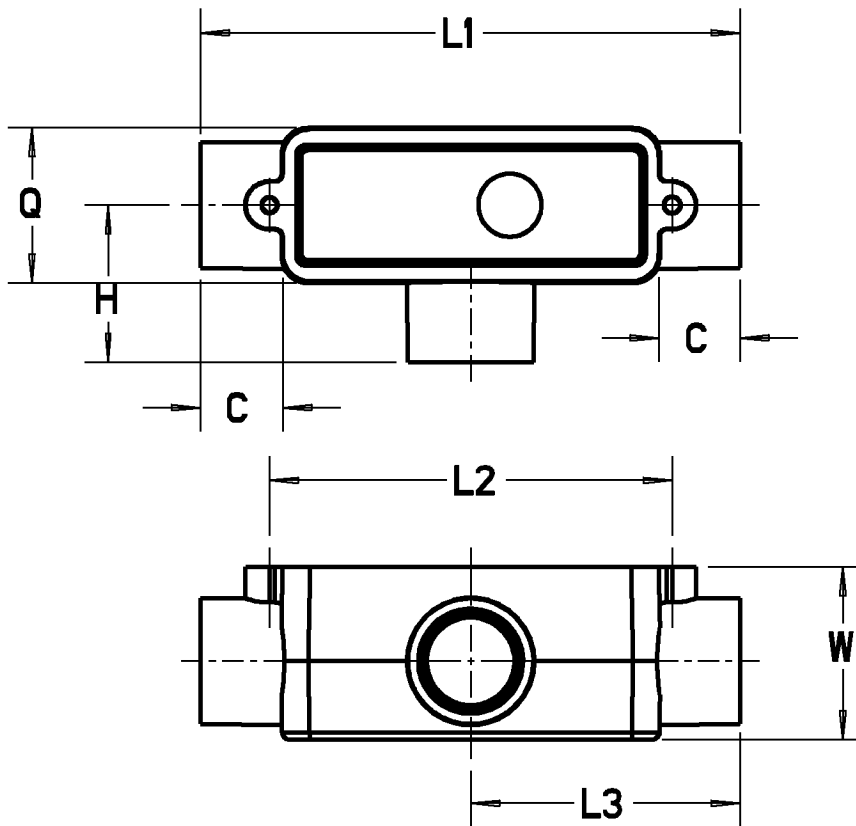


Carlton®



PART NO.	SIZE	C	L1	L2	L3	H	Q	W	CU. IN. VOL.
E983D-CAR E983DCL E983D-CTN E983DL	1/2"	.69 [17.5]	4.69 [119.1]	3.50 [88.9]	2.34 [59.4]	1.36 [34.5]	1.35 [34.3]	1.50 [38.1]	4.0
E983E E983E-CAR E983ECL E983E-CTN E983EL	3/4"	.91 [22.9]	6.88 [174.8]	5.28 [134.1]	3.44 [87.4]	1.79 [45.3]	1.77 [44.8]	2.02 [51.2]	12.0
E983F E983FB E983FR-CAR E983FRCL E983FRL	1"	.91 [22.9]	6.88 [174.8]	5.28 [134.1]	3.44 [87.4]	1.79 [45.3]	1.77 [44.8]	2.02 [51.2]	12.0
E983G E983GR-CAR	1-1/4"	1.09 [27.7]	8.65 [219.7]	6.80 [172.7]	4.33 [110]	2.31 [58.6]	2.53 [64.3]	2.75 [69.6]	32.0
E983H E983H-CAR	1-1/2"	1.09 [27.7]	8.65 [219.7]	6.80 [172.7]	4.33 [110]	2.31 [58.6]	2.53 [64.3]	2.75 [69.9]	32.0
E983J E983J-CAR	2"	1.16 [29.36]	10.28 [261.1]	8.41 [213.5]	5.14 [130.6]	2.64 [67.1]	3.17 [80.4]	3.47 [88.1]	63.0

GENERAL NOTES

- ALL DIMENSIONS ARE FOR REFERENCE ONLY.
- DIMENSIONS IN BRACKETS [] ARE IN METRIC UNITS.

REVISIONS

*** SEE ERN (****) FOR APPROVAL SIGNATURES & RELEASE DATE.
PROJECT NO: ****

Thomas & Betts
www.tnb.com

DESCRIPTION: **1/2" ACCESS FITTING - TYPE "T"**

ORIGINAL PROJECT NO / (ERN NO)

/ ()

SHEET NO:

1 OF 1

REV. NO:

B

DRAWING NO:

WSD-AC04549