

Max-Gard interconnection systems

100 A standard service



Device ratings and polarizations

Pole	Wire	Conductor placement	Voltage 60 Hz	Cat. no. ▼	Standard bushing I.D. [†] (in.)	Cat. no. ▼	Standard bushing I.D. [†] (in.)	
Product type				Male plug ^{††}		Female connector		
2	3		277	DS1104MP000	1 ¹³ / ₁₆	DF1104FP000	1 ¹³ / ₁₆	
2	3		125	DS1107MP000	1 ¹³ / ₁₆	DF1107FP000	1 ¹³ / ₁₆	
2	3		480	DS1204MP000	1 ¹³ / ₁₆	DF1204FP000	1 ¹³ / ₁₆	
2	3		250	DS1207MP000	1 ¹³ / ₁₆	DF1207FP000	1 ¹³ / ₁₆	
2	3		600	DS1214MP000	1 ¹³ / ₁₆	DF1214FP000	1 ¹³ / ₁₆	
2	3		208	DS1216MP000	1 ¹³ / ₁₆	DF1216FP000	1 ¹³ / ₁₆	
3	4			277/480	DS1304MP000	1 ¹³ / ₁₆	DF1304FP000	1 ¹³ / ₁₆
3	4	125/250		DS1307MP000	1 ¹³ / ₁₆	DF1307FP000	1 ¹³ / ₁₆	
3	4	120/208		DS1316MP000	1 ¹³ / ₁₆	DF1316FP000	1 ¹³ / ₁₆	
3	4	3Ø 480		DS1404MP000	1 ¹³ / ₁₆	DF1404FP000	1 ¹³ / ₁₆	
3	4	3Ø 250		DS1407MP000	1 ¹³ / ₁₆	DF1407FP000	1 ¹³ / ₁₆	
3	4	3Ø 600		DS1414MP000	1 ¹³ / ₁₆	DF1414FP000	1 ¹³ / ₁₆	
3	4	3Ø 208		DS1416MP000	1 ¹³ / ₁₆	DF1416FP000	1 ¹³ / ₁₆	
3	4	3Ø 440		DS1421MP000	1 ¹³ / ₁₆	DF1421FP000	1 ¹³ / ₁₆	
4	5			3ØY 277/480	DS1504MP000	2	DF1504FP000	2
4	5			3ØY 347/600	DS1514MP000	2	DF1514FP000	2
4	5		3ØY 118/208	DS1516MP000	2	DF1516FP000	2	
4	5		3ØY 250/440	DS1521MP000	2	DF1521FP000	2	

Maximum 600 V AC or 250 V DC.

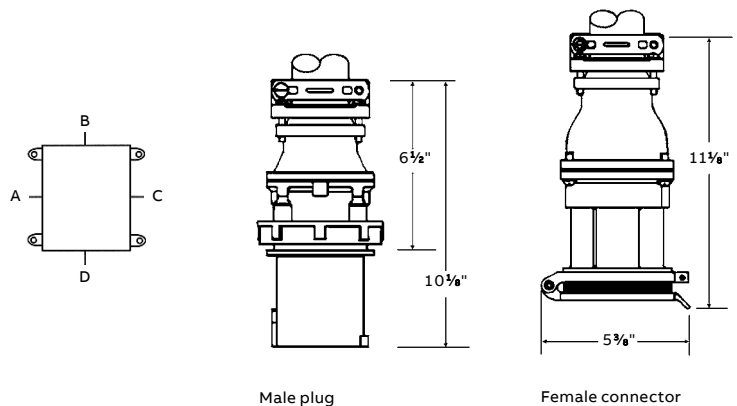
** If receptacle is desired with a straight adapter instead of standard angle adapter, substitute "S" for the "A" in the catalog number of the receptacle with angle adapter or adapter and box.

[†] Standard cable bushings shown; see page 32 for other sizes available at no extra cost if specified on order.

^{††} Always furnished with screw collar. We recommend cup cap with male plug; order catalog number DS1CC.

▼ Control contacts for plug/receptacles: Use "K" where noted. Ex: DS1104MP00K. For adapters, junction boxes and accessories, see pages 32–35.

Diagrams

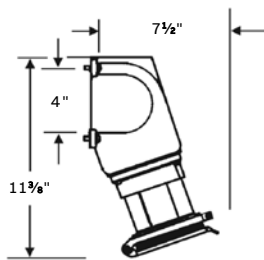




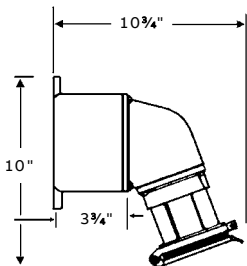
Pole	Wire	Cat. no. ▼ Female receptacle with angle enclosure	Cat. no. ▼ Female receptacle with angle adapter** and junction box	Cat. no. ▼ Female receptacle with angle adapter**	Cat. no. ▼ Female receptacle
2	3	DF1104FR0E0	DF1104FRAB0	DF1104FRA00	DF1104FR000
2	3	DF1107FR0E0	DF1107FRAB0	DF1107FRA00	DF1107FR000
2	3	DF1204FR0E0	DF1204FRAB0	DF1204FRA00	DF1204FR000
2	3	DF1207FR0E0	DF1207FRAB0	DF1207FRA00	DF1207FR000
2	3	DF1214FR0E0	DF1214FRAB0	DF1214FRA00	DF1214FR000
2	3	DF1216FR0E0	DF1216FRAB0	DF1216FRA00	DF1216FR000
3	4	DF1304FR0E0	DF1304FRAB0	DF1304FRA00	DF1304FR000
3	4	DF1307FR0E0	DF1307FRAB0	DF1307FRA00	DF1307FR000
3	4	DF1316FR0E0	DF1316FRAB0	DF1316FRA00	DF1316FR000
3	4	DF1404FR0E0	DF1404FRAB0	DF1404FRA00	DF1404FR000
3	4	DF1407FR0E0	DF1407FRAB0	DF1407FRA00	DF1407FR000
3	4	DF1414FR0E0	DF1414FRAB0	DF1414FRA00	DF1414FR000
3	4	DF1416FR0E0	DF1416FRAB0	DF1416FRA00	DF1416FR000
3	4	DF1421FR0E0	DF1421FRAB0	DF1421FRA00	DF1421FR000
4	5	DF1504FR0E0	DF1504FRAB0	DF1504FRA00	DF1504FR000
4	5	DF1514FR0E0	DF1514FRAB0	DF1514FRA00	DF1514FR000
4	5	DF1516FR0E0	DF1516FRAB0	DF1516FRA00	DF1516FR000
4	5	DF1521FR0E0	DF1521FRAB0	DF1521FRA00	DF1521FR000

Maximum lug wire 0 AWG 19-strand or 1 AWG flexible, cable entrance 0.386" diameter.
 Receptacles furnished with flap cap also have screw thread to accept male collar on plug.
 Catalog numbers shown are for flap cap receptacles; change "DF" to "DS" for ordering screw cap.
 Boldface figures are for voltage assignment. For different ratings, see page 38.
 Outlet furnished at location "B" unless otherwise specified. 2" NPT.
 For full polarization, see page 38.

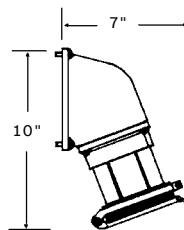
Diagrams



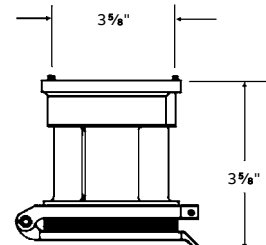
Female receptacle
with angle enclosure



Female receptacle
with angle adapter
and junction box



Female receptacle
with angle adapter



Female receptacle

Max-Gard interconnection systems

100 A reverse service



Device ratings and polarizations

Pole	Wire	Conductor placement	Voltage 60 Hz	Cat. no. ▼	Standard bushing I.D. [†] (in.)	Cat. no. ▼	Standard bushing I.D. [†] (in.)	
Product type				Female connector		Male plug ^{**}		
2	3		277	DF1104FP000	1 ¹¹ / ₁₆	DS1104MP000	1 ¹¹ / ₁₆	
2	3		125	DF1107FP000	1 ¹¹ / ₁₆	DS1107MP000	1 ¹¹ / ₁₆	
2	3		480	DF1204FP000	1 ¹¹ / ₁₆	DS1204MP000	1 ¹¹ / ₁₆	
2	3		250	DF1207FP000	1 ¹¹ / ₁₆	DS1207MP000	1 ¹¹ / ₁₆	
2	3		600	DF1214FP000	1 ¹¹ / ₁₆	DS1214MP000	1 ¹¹ / ₁₆	
2	3		208	DF1216FP000	1 ¹¹ / ₁₆	DS1216MP000	1 ¹¹ / ₁₆	
3	4			277/480	DF1304FP000	1 ¹³ / ₁₆	DS1304MP000	1 ¹³ / ₁₆
3	4	125/250		DF1307FP000	1 ¹³ / ₁₆	DS1307MP000	1 ¹³ / ₁₆	
3	4	120/208		DF1316FP000	1 ¹³ / ₁₆	DS1316MP000	1 ¹³ / ₁₆	
3	4	3Ø 480		DF1404FP000	1 ¹³ / ₁₆	DS1404MP000	1 ¹³ / ₁₆	
3	4	3Ø 250		DF1407FP000	1 ¹³ / ₁₆	DS1407MP000	1 ¹³ / ₁₆	
3	4	3Ø 600		DF1414FP000	1 ¹³ / ₁₆	DS1414MP000	1 ¹³ / ₁₆	
3	4	3Ø 208		DF1416FP000	1 ¹³ / ₁₆	DS1416MP000	1 ¹³ / ₁₆	
3	4	3Ø 440		DF1421FP000	1 ¹³ / ₁₆	DS1421MP000	1 ¹³ / ₁₆	
4	5			3ØY 277/480	DF1504FP000	2	DS1504MP000	2
4	5			3ØY 347/600	DF1514FP000	2	DS1514MP000	2
4	5		3ØY 110/208	DF1516FP000	2	DS1516MP000	2	
4	5		3ØY 250/440	DF1521FP000	2	DS1521MP000	2	

Maximum 600 V AC or 250 V DC.

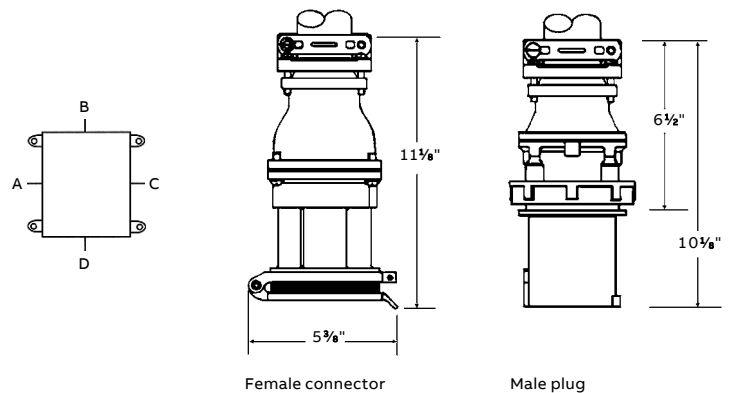
** If receptacle is desired with a straight adapter instead of standard angle adapter, substitute "S" for the "A" in the catalog number of the receptacle with angle adapter or adapter and box.

[†] Standard cable bushings shown; see page 32 for other sizes available at no extra cost if specified on order.

^{**} Always furnished with screw collar. We recommend cup cap with male plug; order catalog number DS1CC.

▼ Control contacts for plug/receptacles: Use "K" where noted. Ex: DS1104MR00K. For adapters, junction boxes and accessories, see pages 32–35.

Diagrams

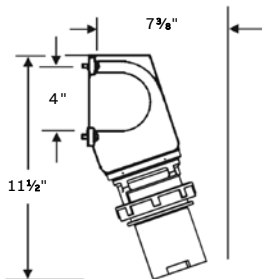




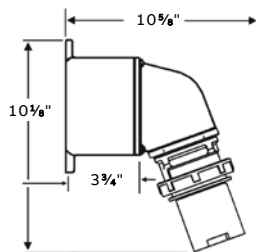
Pole	Wire	Cat. no. ▼ Male inlet with angle enclosure	Cat. no. ▼ Male inlet with angle adapter** and DJB3 junction box	Cat. no. ▼ Male inlet with angle adapter**	Cat. no. ▼ Male inlet††
2	3	DS1104MRØØ	DS1104MRABØ	DS1104MRAØØ	DS1104MRØØØ
2	3	DS1107MRØØ	DS1107MRABØ	DS1107MRAØØ	DS1107MRØØØ
2	3	DS1204MRØØ	DS1204MRABØ	DS1204MRAØØ	DS1204MRØØØ
2	3	DS1207MRØØ	DS1207MRABØ	DS1207MRAØØ	DS1207MRØØØ
2	3	DS1214MRØØ	DS1214MRABØ	DS1214MRAØØ	DS1214MRØØØ
2	3	DS1216MRØØ	DS1216MRABØ	DS1216MRAØØ	DS1216MRØØØ
3	4	DS1304MRØØ	DS1304MRABØ	DS1304MRAØØ	DS1304MRØØØ
3	4	DS1307MRØØ	DS1307MRABØ	DS1307MRAØØ	DS1307MRØØØ
3	4	DS1316MRØØ	DS1316MRABØ	DS1316MRAØØ	DS1316MRØØØ
3	4	DS1404MRØØ	DS1404MRABØ	DS1404MRAØØ	DS1404MRØØØ
3	4	DS1407MRØØ	DS1407MRABØ	DS1407MRAØØ	DS1407MRØØØ
3	4	DS1414MRØØ	DS1414MRABØ	DS1414MRAØØ	DS1414MRØØØ
3	4	DS1416MRØØ	DS1416MRABØ	DS1416MRAØØ	DS1416MRØØØ
3	4	DS1421MRØØ	DS1421MRABØ	DS1421MRAØØ	DS1421MRØØØ
4	5	DS1504MRØØ	DS1504MRABØ	DS1504MRAØØ	DS1504MRØØØ
4	5	DS1514MRØØ	DS1514MRABØ	DS1514MRAØØ	DS1514MRØØØ
4	5	DS1516MRØØ	DS1516MRABØ	DS1516MRAØØ	DS1516MRØØØ
4	5	DS1521MRØØ	DS1521MRABØ	DS1521MRAØØ	DS1521MRØØØ

Maximum lug wire 0 AWG 19-strand or 1 AWG flexible, cable entrance 0.386" diameter.
 Receptacles furnished with flap cap also have screw thread to accept male collar on plug.
 Catalog numbers shown are for flap cap receptacles; change "DF" to "DS" for ordering screw cap.
 Boldface figures are for voltage assignment. For different ratings, see page 38.
 Outlet furnished at location "B" unless otherwise specified. 2" NPT.
 For full polarization, see page 38.

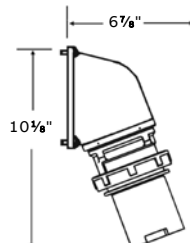
Diagrams



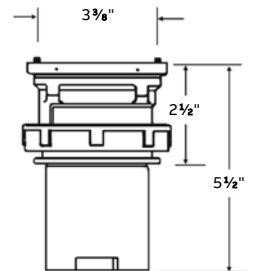
Male inlet with angle enclosure



Male inlet with angle adapter and DJB3 junction box



Male inlet with angle adapter



Male inlet