



MARCUS

Marcus Transformer LTD
 Phone: 1-800-267-7376
 Fax: 1-866-205-7526
 Email: Info@marcustransformer.com

TECHNICAL DATA MODEL: MTWP 15A1

3-PHASE ISOLATING

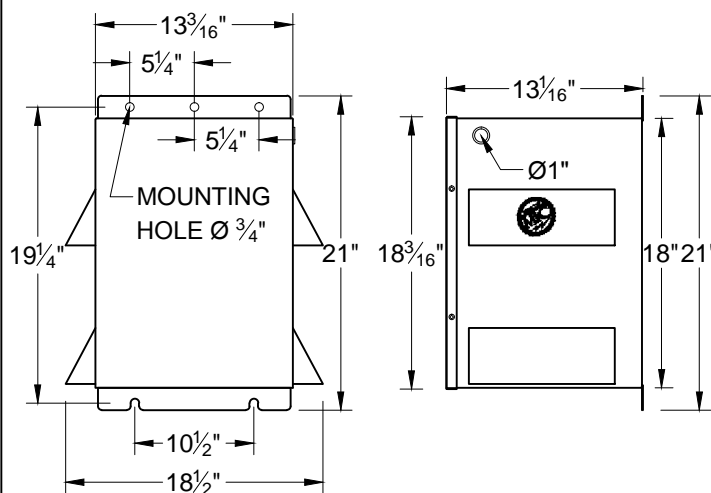
DESCRIPTION	
Type	DRY TYPE DISTRIBUTION (ANN)
KVA	15
Primary (Volts)	600
Secondary (Volts)	208Y / 120
Phase	3
Enclosure	NEMA 3R
Impedance (%z)	5.1
Insulation Class	220°C
Temperature Rise	150°C
Frequency	60Hz
Weight (LBS/KG)	188 / 86
Connection	Dyn1(TT-1)
BIL.	10KV

PERFORMANCE	
No load loss	67W
Total loss	680W
Noise level	45dB

EFFICIENCY	
	Efficiency = 94.8%
	(As per CSA C802.2 & NEMA TP-1)

Primary connectors per phase : #14-#4
Secondary connectors per phase: #14-#4

PHYSICAL DIMENSIONS



FRONT VIEW

SIDE VIEW

MOUNTING: WALL

FEATURES:

- Anti-vibration pads installed between the core/coil and the enclosure
- Ground lug provided
- Leads brought-up and solidly positioned into separate terminal boards
- CSA enclosure: ventilated painted ASA 61 gray
- Transformer meets the efficiency values as per CSA C802.2 / NEMA TP-1
- Copper ground strap between core/coil and enclosure
- CSA certified / cUL listed
- Copper windings

Customer / PO	
Project	
Engineer	
Contractor	
Revision Date	

COMMENTS