

BURNDY® Grounding Products

TYPE GAR

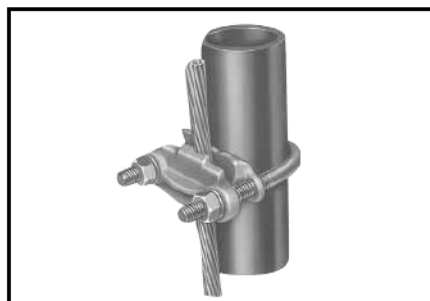
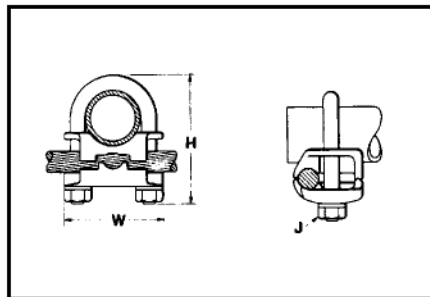
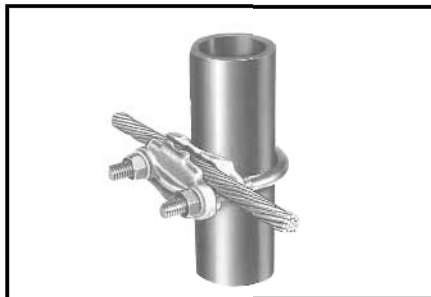
FENCE POST GROUNDING CONNECTOR

For Parallel or 90°
Copper Cable
Connection

To Rod or Pipe with
the Same Connector

High copper alloy ground connector for joining a range of cable, parallel or at right angles to rod or tube. Especially good for fence posts. High copper alloy cast body with DURIMUM™ U-bolts, nuts and lockwashers, permit entire connection to be buried in ground or concrete without danger of corrosion.

- One-wrench installation.
- UL467 Listed.
- Acceptable for direct burial.



Catalog Number	Conductor			H	J	W
	Tube I.P.S.	Rod Size or O.D. Range	Cable			
GAR114C	1/4	1/2	8 Sol. - 4 Str.	2-1/2	3/8	1-7/8
GAR1126			4 Sol. - 2/0 Str.			
GAR1129			2/0 Sol. - 250			
GAR644C	3/8	5/8 - 3/4	8 Sol. - 4 Str.	2-7/8	3/8	2-1/8
GAR6426			4 Sol. - 2/0 Str.			
GAR6429			2/0 Sol. - 250			
GAR6434	1/2 - 3/4	7/8 - 1	300 - 500	3-1/2	1/2	2-1/2
GAR144C			8 Sol. - 4 Str.	2-3/4	3/8	2-3/8
GAR1426			4 Sol. - 2/0 Str.	3		
GAR1429	2/0 Sol. - 250					
GAR1434	1	1-1/8 - 1-1/4	300 - 500	3-3/4	1/2	2-3/4
GAR154C			8 Sol. - 4 Str.	2-7/8	3/8	2-5/8
GAR1526			4 Sol. - 2/0 Str.			
GAR1529	2/0 Sol. - 250					
GAR1534	1-1/4	1-3/8 - 1-1/2	300 - 500	4-1/2	1/2	3
GAR164C			8 Sol. - 4 Str.	3-1/2	3/8	
GAR1626			4 Sol. - 2/0 Str.			
GAR1629	2/0 Sol. - 250					
GAR1634	1-1/2	1-5/8 - 1-7/8	300 - 500	4-1/4	1/2	3-3/8
GAR174C			8 Sol. - 4 Str.	4	3/8	3-1/4
GAR1726			4 Sol. - 2/0 Str.			
GAR1729	2/0 Sol. - 250					
GAR1734	2	2 - 2-3/8	300 - 500	4-5/8	1/2	2-5/8
GAR184C			8 Sol. - 4 Str.	4-1/4	3/8	3-3/4
GAR1826			4 Sol. - 2/0 Str.			
GAR1829	2/0 Sol. - 250					
GAR1834	2-1/2	2-1/2 - 7/8	300 - 500	5-1/4	1/2	4-1/8
GAR194C			8 Sol. - 4 Str.	5	3/8	4-1/4
GAR1926			4 Sol. - 2/0 Str.			
GAR1929	2/0 Sol. - 250					
GAR1934			300 - 500	5-5/8	1/2	4-5/8

Throughout the catalog you will notice blue highlighted items. These are the most frequently ordered BURNDY® Products.

TYPE GAR

(Continued)

FENCE POST GROUNDING CONNECTOR

Catalog Number	Conductor			H	J	W
	Tube I.P.S.	Rod Size or O.D. Range	Cable			
GAR204C	3	3 - 3-1/2	8 Sol. - 4 Str.	5-5/8	3/8	4-3/4
GAR2026			4 Sol. - 2/0 Str.			
GAR2029			2/0 Sol. - 250			
GAR2034			300 - 500			
GAR214C	3-1/2	3-1/2 - 4	8 Sol. - 4 Str.	6-1/4	3/8	5-3/8
GAR2126			4 Sol. - 2/0 Str.			
GAR2129			2/0 Sol. - 250			
GAR2134			300 - 500			
GAR224C	4	4 - 4-1/2	8 Sol. - 4 Str.	6-3/8	3/8	5-7/8
GAR2226			4 Sol. - 2/0 Str.			
GAR2229			2/0 Sol. - 250			
GAR2234			300 - 500			
GAR244C	5	—	8 Sol. - 4 Str.	7-3/4	3/8	6-7/8
GAR2426			4 Sol. - 2/0 Str.			
GAR2429			2/0 Sol. - 250			
GAR2434			300 - 500			
GAR8629	6	—	2/0 Sol. - 250	8-13/16	1/2	8-3/8

Contact BURNDY® for additional pipe and wire size combinations not shown.

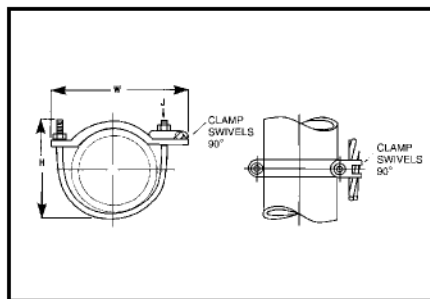
Throughout the catalog you will notice blue highlighted items. These are the most frequently ordered BURNDY® Products.

BURNDY® Grounding Products

TYPES GAR-BU AND GAR3902 SERIES

GROUND CONNECTORS

Type GAR-BU is a high-conductivity copper ground connector for connecting a small to medium range copper ground conductor to water pipe as well as structural and reinforcing rod shapes. Universal acceptance of several sizes of cylindrical shapes makes this suitable for industrial construction and maintenance work as well as cathodic protection. Cable clamp swivels to permit parallel grounding of one pipe or 90° degree cable run for grounding several parallel pipes. Single wrench installation. UL467 Listed and CSA certified.



Features and Benefits

- Cable clamp swivels at 90°.
 - ◇ Permits parallel grounding of one pipe or a 90° cable run for grounding several parallel pipes.
- One-wrench installation.
 - ◇ Simplified installation.
- DURIMUM™ silicon bronze hardware (-BU Series)*.
 - ◇ Long lasting corrosion resistance and acceptable for direct burial in earth or concrete.
- UL467 Listed.
 - ◇ Provides quality assurance to recognized industry NEC standards from an independent party.



Catalog Number *	Cable Range	IPS Size	O.D. Range	H	J	W	Recommended Tightening Torque
GAR3902-BU	#4 - 4/0 AWG	1/2" - 1"	.840 - 1.32	3.50	3/8" - 16	3.25	240 in. - lbs.
GAR3903-BU		1-1/4" - 2"	1.66 - 2.38	4.00		4.25	
GAR3904-BU		2-1/2" - 3-1/2"	2.88 - 4.00	6.50		6.00	
GAR3905-BU		4" - 5"	4.50 - 5.56	7.50		7.50	
GAR3906-BU		6"	6.62	8.50		8.62	
GAR3907-BU		8"	8.62	10.00		10.62	
GAR3908-BU		10"	10.75	12.00		12.75	
GAR3909-BU		12"	12.75	14.00		14.75	
GAR3902		#4 - 4/0 AWG	1/2" - 1"	.840 - 1.32		3.50	
GAR3903	1-1/4" - 2"		1.66 - 2.38	4.00	4.25		
GAR3904	2-1/2" - 3-1/2"		2.88 - 4.00	6.50	6.00		
GAR3905	4" - 5"		4.50 - 5.56	7.50	7.50		
GAR3906	6"		6.62	8.50	8.62		
GAR3907	8"		8.62	10.00	10.62		
GAR3908	10"		10.75	12.00	12.75		
GAR3909	12"		12.75	14.00	14.75		

* Type GAR-BU is supplied with DURIMUM™ silicon bronze hardware and is listed for direct burial.

TYPE GAR-RB

For Reinforcement Bar



Catalog Number	Rebar	IPS Size	O.D. Range	Rod	Copper Conductor	
					Min.	Max.
GAR644C-RB	#3 - 6 (.375 - .750)	3/8	.625 - .75	5/8 - 3/4	8 Sol.	4 Str.

UL467 Listed for direct burial in earth or concrete.

Throughout the catalog you will notice blue highlighted items. These are the most frequently ordered BURNDY® Products.