



180, 3rd Avenue, L'Islet, Quebec, G0R 2C0, CANADA
 Tel.: (418) 247-3947, 1-800-463-7043 Fax: (418) 247-7801
www.ouellet.com

INSTRUCTIONS "ONC" Series

WARNING

When using electrical appliances, basic precautions should always be taken to reduce the risk of fire, electrical shock and injury, including the following.

Read carefully these instructions before installation, operation of the heater. Failure to adhere to the instructions could result in fire, electric shock, serious personal injury, and death or property damage. Review frequently for continuing safe operation and instruction of future users, if necessary.

IMPORTANT INSTRUCTIONS

- 1- Read all instructions before installing or using this heater.
- 2- This heater is hot when in use. To avoid burns, do not let bare skin touch hot surfaces. Keep combustible materials, like furniture, pillows, bedding, papers, clothes, and curtains at least 36 in. (915 mm) from the front of the heater and away from the sides.
- 3- Extreme caution is necessary when any heater is used by or near children or invalids and whenever the heater is left operating and unattended.
- 4- Do not operate any heater after it malfunctions. Disconnect power at service panel and have heater inspected by a reputable electrician before reusing.
- 5- Do not use outdoors.
- 6- To disconnect heater, turn off power to heater circuit at main disconnect panel.
- 7- Do not insert or allow foreign objects to enter any exhaust opening as this may cause an electric shock or fire, or damage the heater.
- 8- Do not block air intakes or exhaust in any way whatsoever.
- 9- This heater has hot and arcing or sparking parts inside. Do not use it in areas where gasoline, paint, or flammable liquids are used or stored.
- 10- Use this heater only as described in this manual. Any other use not recommended by the manufacturer may cause fire, electric shock, or injury.
- 11- **AMERICAN VERSION ONLY:** This heater includes a visual alarm to warn that parts of the heater are getting excessively hot. If the light turns on, immediately turn the heater off and inspect for any objects on or adjacent to the heater that may have blocked the airflow or otherwise caused high temperatures to have occurred. If no obstruction is visible, the heater must be checked by a qualified person. **DO NOT OPERATE THE HEATER WITH THE ALARM LIGHT IS ON.**
- 12- The thermostat should not be considered an infallible device in cases where maintaining a temperature is considered critical. Examples: Hazardous material storage, computer server room, etc. In these particular cases, it is imperative to add a monitoring system to avoid the consequences of a thermostat failure.

SAVE THESE INSTRUCTIONS
 INS501-201402-01

INSTALLATION INSTRUCTIONS

CAUTION: Use supply wires suitable for 90 °C (194 °F).
 - For bathroom use, the heater must be installed so that switches and other controls cannot be touched by anyone in the bath or shower.

SURFACE WALL MOUNTING:

- 1- Locate approximately the power supply leads behind the planned location of the heater. Recommended clearance below heater base to floor is 4 in. (102 mm) minimum. Allow 4 in. (102 mm) minimum clearance between sides of heater and any adjacent walls. The leads shall be at the right of the wall bracket.
- 2- Lean the bottom of the wall bracket on the floor and mark with a pencil the height desired (of the heater bottom) using the wholes with inches written on the side.
- 3- Secure wall bracket with the 4 screws supplied. The bottom of the key holes shall be in line with the previous marks. Triangle mark on horizontal bar is the center of the heater. Before installing wall support, align center of heater with support center mark and make sure the heater sides are at least 4 in. (102 mm) from any adjacent walls.
- 4- Untighten wire holder (for Loomex cable) and make electrical connections by having the heater the nearest possible to the electrical wire. For BX cable, remove one of the two knock-outs, install a connector (not furnished) and have 6 to 8 in. (15 to 20 cm) of free wire and get them out of the hole of the wire holder in order to make connections from outside. Do not forget to connect the green wire to ground wire in order to have a safe grounded heater.
- 5- Once connections completed, place bottom T slots in the base part of support, and clip the upper side of the body in the upper U shape part of the support.
- 6- Do not let the excess of the supply wire come in contact with the back of the heater, as well as any other object.
- 7- Put the main power on.

CAUTION:

High temperature, risk of fire, keep electrical cords, drapery, furnishings, and other combustibles at least 36 in. (915 mm) from the front of the heater and away from the sides. To reduce the risk of fire, do not store or use gasoline or other flammable vapors and liquids in the vicinity of the heater.

IMPORTANT
 Do not obstruct the front of the heater for at least 48 in. (1200 mm).

OPERATING INSTRUCTIONS

- The heater must be properly installed before it is used.
- Turn the power on at the circuit breaker panel.
- Electronic thermostat: Set the thermostat temperature at the wanted room temperature

CONTROL:

Model with built-in electronic thermostat:

The electronic thermostat shall keep the room temperature in a range of ± 1 °C (± 2 °F) unless the room is not well insulated or the heater is too or not enough powerful for the room.

Model without control:

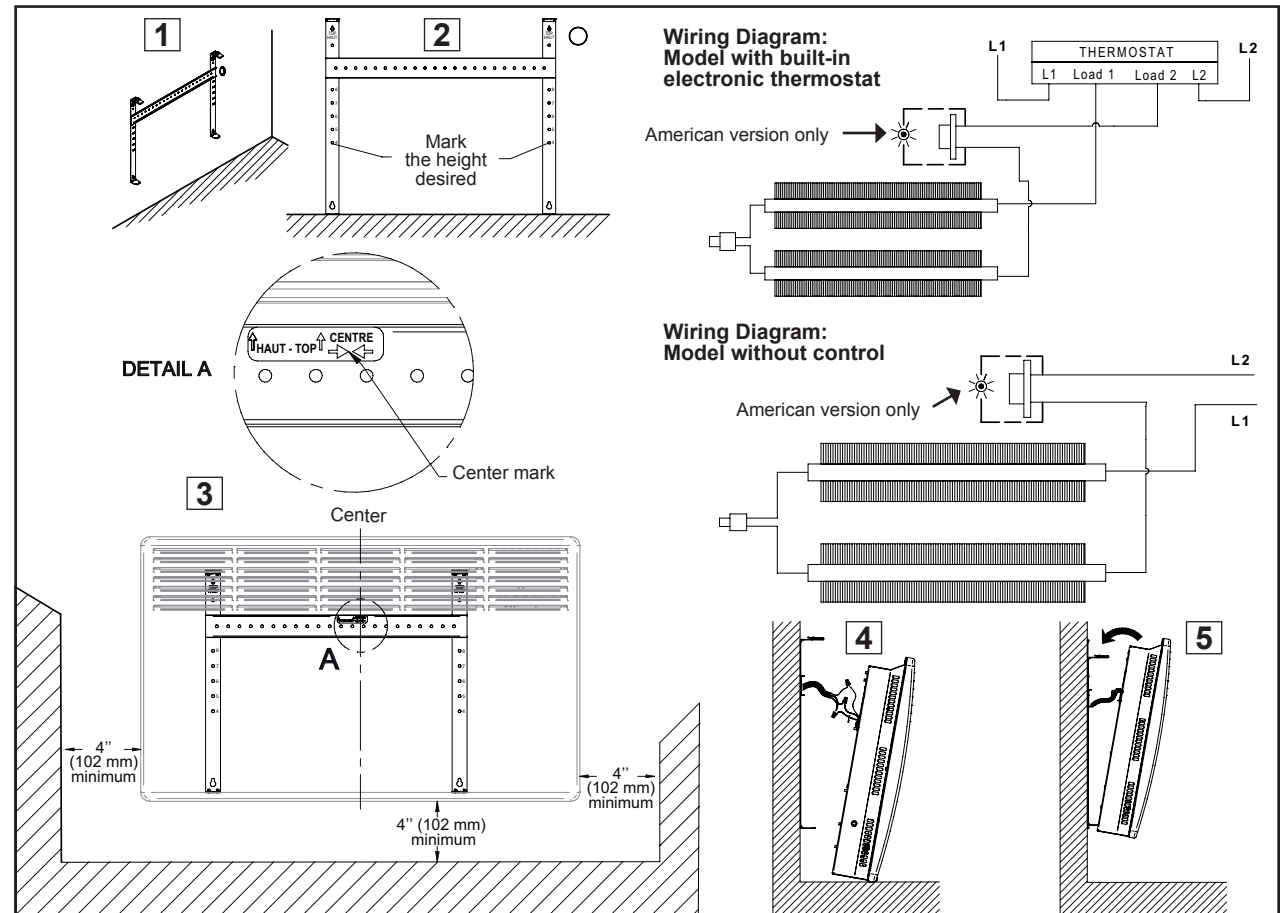
Maintain room temperature by a line-voltage wall thermostat approved for residential heating. Even if it is not mandatory, an electronic thermostat gives better performance than a conventional thermostat.

MAINTENANCE INSTRUCTIONS

- 1- Once a year, remove the front panel and use a vacuum cleaner to remove the dust accumulation inside the heater and through openings of the front panel.
- 2- Cleaning should be done while the heater is disconnected from the main service panel. Wait until the housing and heating element cool before performing maintenance.
- 3- Replace the front panel before energizing.
- 4- Any other servicing should be performed by a qualified technician.

WARRANTY

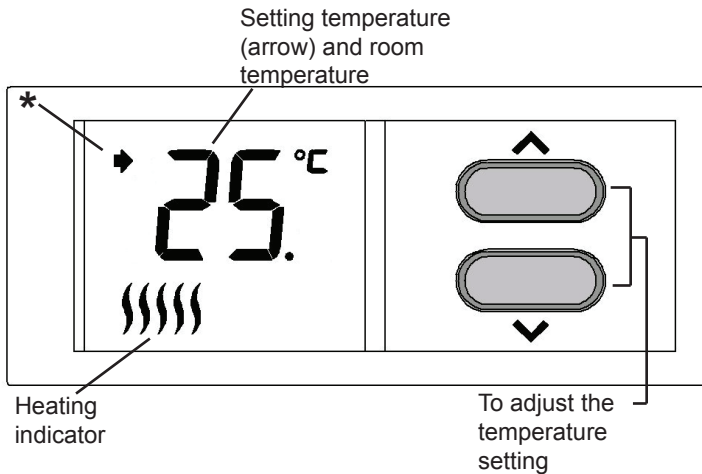
Please refer to the product sheet at www.ouellet.com.



USER GUIDE

VERSION FRANÇAISE AU VERSO

Electronic thermostat integrated into the convector



- * When you push one of the temperature setting buttons, a little arrow appears on the left corner of the LCD. If no other button is pushed for the next 5 seconds, the arrow will disappear and the room temperature will reappear on the LCD. To increase the temperature, press the upper button (▲) and to decrease it press (▼) the lower button. Setpoint range: 40 °F to 86 °F (5 °C to 30 °C).

POWER-UP



Once power is initially sent to the unit, the LCD screen will display certain codes, and then the ambient temperature.

CHARACTERISTICS

The temperature controller using proportional regulation determines the power necessary for the electric heating system to precisely maintain the ambient temperature according to the setpoint.

100 % ██████████

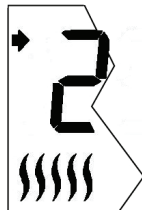
80 % ████████

60 % ██████

40 % ████

20 % ███

To visualize this process, the display shows, in real time, the percentage of power applied to the electric heating system.



POWER FAILURE

During a power outage, the setpoint is permanently stored in the memory.

WARRANTY

See heater warranty.

PROBLEMS AND SOLUTIONS

PROBLEMS	CAUSES	SOLUTIONS
- No display	- Circuit breaker is opened - Power failure	- Check voltage at the unit
- The thermostat is hot	- In normal use at full capacity, the housing temperature of the thermostat can reach 35°C to 40°C	
- The displayed temperature is wrong	- A draft of air is near the thermostat, temperature sensor is located in the bottom grille	- Eliminate the draft of air
- Display LO	- Temperature sensor is damaged	- Thermostat should be replaced by your installer



TURN OFF POWER OF THE HEATING SYSTEM AT THE MAIN POWER PANEL TO AVOID ELECTRIC SHOCK.

Selection the desired scale (Celsius or Fahrenheit scale)

- Switch off the power supply of the heater.
- Unscrew the 2 or 3 screws (as per the model) at the bottom of the front panel of the heater.
- Remove the front panel and the top grille.
- Unscrew the screws which maintain the junction box cover and remove it.
- The selector switch is located under the thermostat to set your preference in °C or °F.

=> Ask the installer to select the desired scale.

