

GFA15-2C



UPC Code: 07847739774

Country of Origin: China

Configuration:



Portable GFCI Devices

Brand Features

Portable GFCI Devices from Leviton are now sleeker and more rugged than ever! And, while these devices are fully OSHA compliant for use on job sites, they are also perfect for use in a variety of temporary power applications, such as recreation vehicles, marine vehicles, portable pools, portable generators, submersible pumps, vending machines and more.

Item Description

15 Amp, 120 Volt, 2 ft. Cord Set, Molded-On NEMA Plug (5-15P) and Connector (5-15R), Straight Blade, Automatic Reset GFCI Device, 14-3 SJTW Cord

Technical Information

AC Horsepower Ratings

At Rated Voltage: 3/4 Horsepower

Electrical Specifications

Grounding: GFCI Ground Fault

Amperage: 15 Amp

Voltage: 120 Volt

NEMA: 5-15

Pole: 2

Wire: 3

Current Interrupting: 2 kA

Temperature Rise: Max 30C after 50 cycles OL at 150 percent rated current

Trip Level: 5mA plus or minus 1mA

Environmental Specifications

Flammability: Rated V-2 per UL94

Operating Temperature: -35C - 66C

Material Specifications

Body Material: Polycarbonate

Blades/Contacts: Brass

Color: Black

Mechanical Specifications

Product ID: Ratings marked on device label

Cord Type: 14/3 SJTW

Cord Length: 2 FT.

Product Features

Color: Black

Standards and Certifications

NEMA: WD-6

ANSI: C-73

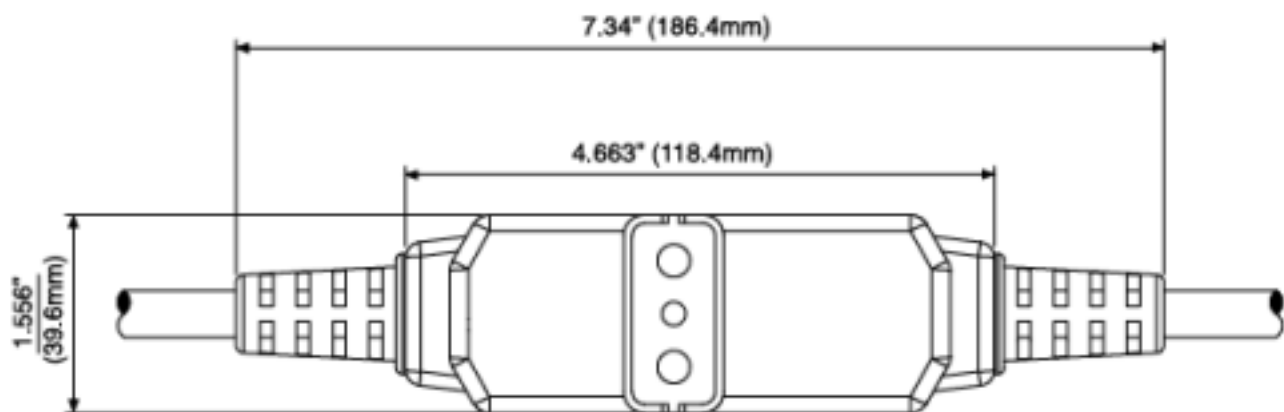
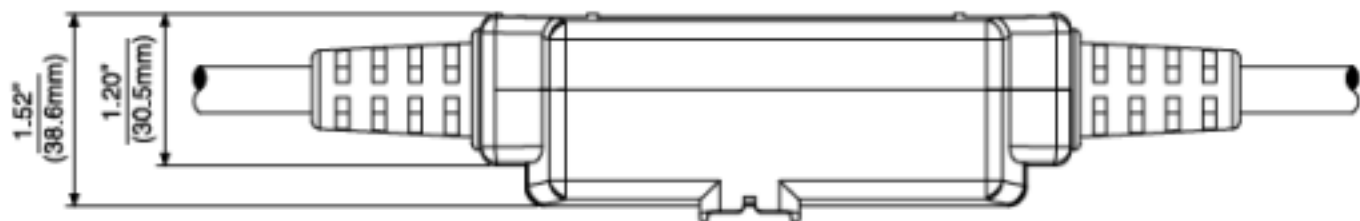
UL 943: Class A (GFCI)

UL 498: File E-48380

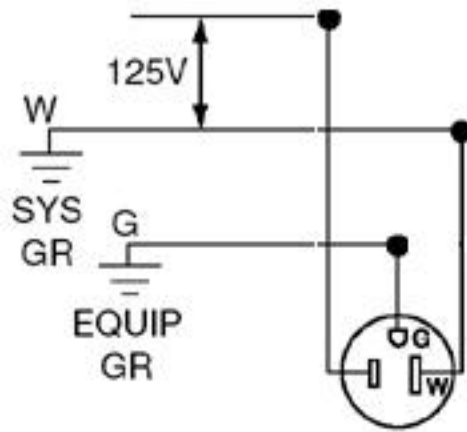
CSA C22.2: File LR-57811

NOM: 057

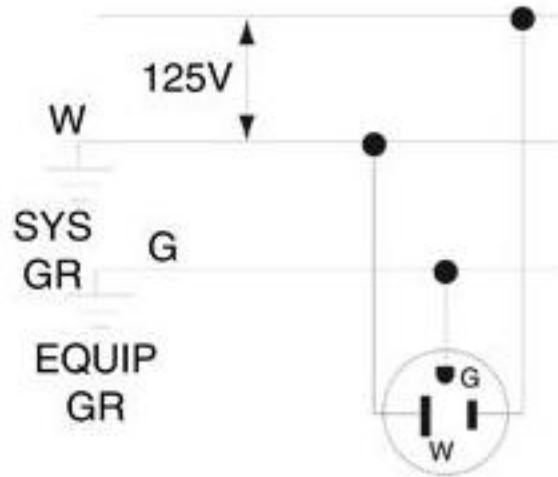
Warranty: 2 Year Limited



Wiring Diagram



5-15R



5-15P

SPECIFICATION SUBMITTAL

JOB NAME: <input type="text"/>	CATALOG NUMBERS: <input type="text"/>	
JOB NUMBER: <input type="text"/>	<input type="text"/>	<input type="text"/>

Leviton Manufacturing Co., Inc.

201 North Service Road, Melville, NY 11747

Telephone: 1-800-323-8920 · FAX: 1-800-832-9538 · Tech Line (8:30AM-7:30PM E.S.T. Monday-Friday): 1-800-824-3005

Leviton Manufacturing of Canada, Ltd.

165 Hymus Boulevard, Pointe Claire, Quebec H9R 1E9 · Telephone: 1-800-469-7890 ·

FAX: 1-800-824-3005 · www.leviton.com/canada

Leviton S. de R.L. de C.V.

Lago Tana 43, Mexico DF, Mexico CP 11290 · Tel.: (+52)55-5082-1040 · FAX: (+52)5386-1797 · www.leviton.com.mx

Visit our Website at: www.leviton.com

© 2012-2016 Leviton Manufacturing Co., Inc. All rights reserved. Subject to change without notice.

Leviton has a global presence.

If you would like to know where your local Leviton office is located please go to: www.leviton.com/international/contacts/

