



### Main

|                            |                                       |
|----------------------------|---------------------------------------|
| Range of product           | Harmony GTU                           |
| Product or component type  | Flat screen                           |
| Terminal type              | Touchscreen display                   |
| Integrated connection type | USB 2.0 type A<br>USB 2.0 type mini B |

### Complementary

|                           |                                  |
|---------------------------|----------------------------------|
| Pixel resolution          | 800 x 600                        |
| Touchscreen resolution    | 1024 x 1024                      |
| Function available        | Brightness sensor                |
| [Us] rated supply voltage | 12...24 V DC power supply        |
| Supply voltage limits     | 10.8...28.8 V                    |
| Power consumption in W    | 15 W                             |
| Display size              | 10.4 inch                        |
| Display type              | Colour TFT LCD                   |
| Display resolution        | 800 x 600 pixels SVGA            |
| Display colour            | 16 million colours               |
| Backlight lifespan        | 50000 hours                      |
| Touch panel               | Multi touch analogue resistive   |
| Type of installation      | Indoor installation              |
| Type of cooling           | Natural convection               |
| Inrush current            | 30 A                             |
| Cut-out dimensions        | 259 (+ 1/- 0) x 201 (+ 1/- 0) mm |
| Maximum Width             | 10.73 in (272.5 mm)              |
| Height                    | 8.44 in (214.5 mm)               |
| Depth                     | 2.64 in (67 mm)                  |
| Net Weight                | 5.95 lb(US) (2.7 kg)             |

### Environment

|                                       |   |
|---------------------------------------|---|
| IP degree of protection               | Front panel IP66<br>Front panel IP67  |
| NEMA degree of protection             | NEMA 4X front panel   |
| Standards                             | UL 508<br>ANSI/ISA 12-12-01<br>Class I division 2 CSA C22.2 No 213<br>CSA C22.2 No 142<br>IEC 61132-2 |
| Product certifications                | CULus<br>CE<br>KC<br>RCM  |
| Ambient air temperature for operation | 32...140 °F (0...60 °C) EN 61131-2  |
| Ambient air temperature for storage   | -4...140 °F (-20...60 °C)   |
| Pollution degree                      | 2   |

|                               |   |
|-------------------------------|---|
| Relative humidity             | 10...90 % non-condensing  |
| Operating altitude            | 6561.68 ft (2000 m)   |
| Vibration resistance          | 3.5 mm constant amplitude (f = 5...9 Hz) conforming to EN/IEC 61131-2<br>9.8 m/s <sup>2</sup> (f = 9...150 Hz) conforming to EN/IEC 61131-2 |
| Shock resistance              | 147 m/s <sup>2</sup> conforming to EN/IEC 61131-2   |
| Electromagnetic compatibility | Electrostatic discharge immunity testlevel 3 EN/IEC 61000-4-2   |

## Ordering and shipping details

|                       |                         |
|-----------------------|-------------------------|
| Category              | 22567 - MAGELIS HMI GTU |
| Discount Schedule     | MC2                     |
| GTIN                  | 00785901980612          |
| Nbr. of units in pkg. | 1                       |
| Package weight(Lbs)   | 8.88 lb(US) (4.03 kg)   |
| Returnability         | Yes                     |
| Country of origin     | CN                      |

## Packing Units

|                        |                    |
|------------------------|--------------------|
| Unit Type of Package 1 | PCE                |
| Package 1 Height       | 7.87 in (20 cm)    |
| Package 1 width        | 13.19 in (33.5 cm) |
| Package 1 Length       | 14.76 in (37.5 cm) |

## Offer Sustainability

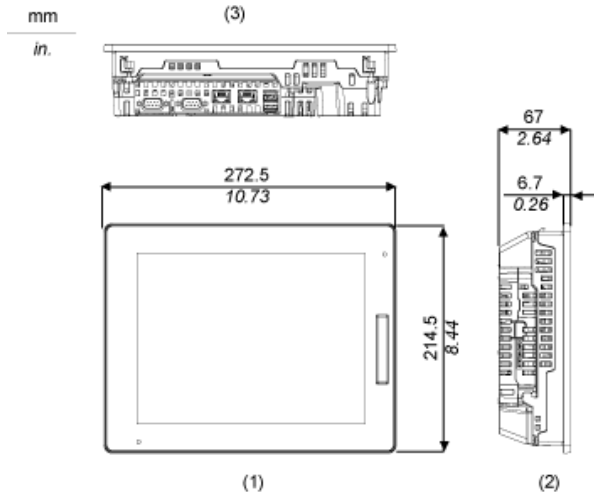
|                            |   |
|----------------------------|---|
| Sustainable offer status   | Green Premium product   |
| California proposition 65  | WARNING: This product can expose you to chemicals including: Lead and lead compounds, which is known to the State of California to cause cancer and birth defects or other reproductive harm. For more information go to <a href="http://www.P65Warnings.ca.gov">www.P65Warnings.ca.gov</a> |
| REACH Regulation           | <a href="#">REACH Declaration</a>   |
| REACH free of SVHC         | Yes   |
| EU RoHS Directive          | Pro-active compliance (Product out of EU RoHS legal scope) <a href="#">EU RoHS Declaration</a>  |
| Mercury free               | Yes   |
| RoHS exemption information | <a href="#">Yes</a>   |
| China RoHS Regulation      | <a href="#">China RoHS Declaration</a>  |
| WEEE                       | The product must be disposed on European Union markets following specific waste collection and never end up in rubbish bins.  |

## Contractual warranty

|          |           |
|----------|-----------|
| Warranty | 18 months |
|----------|-----------|

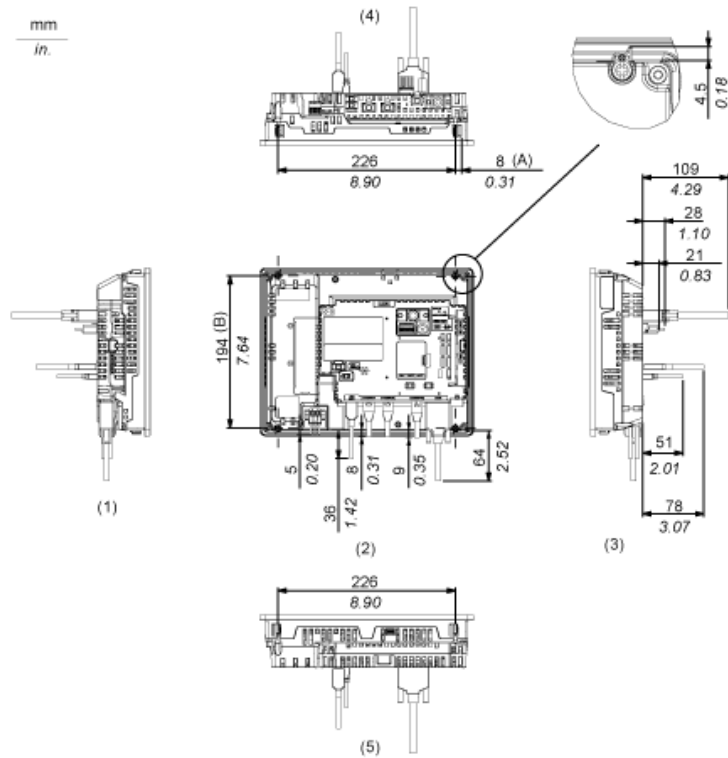
External Dimensions

Display Unit with Box Module



- 1 Front
- 2 Left
- 3 Bottom

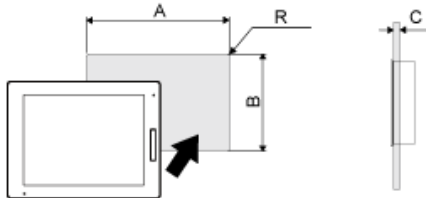
Installation with Installation Fasteners and Dimensions with Cables



- (A) Rotation area of the fastener
- (B) Pitch of the center of installation fastner screws
- 1 Right
- 2 Front
- 3 Left
- 4 Bottom
- 5 Top

Mounting

Panel Cut Dimensions



Dimensions in mm

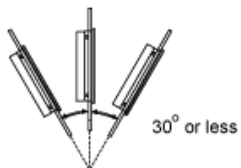
| A           | B           | C       | R      |
|-------------|-------------|---------|--------|
| 259 (+1/-0) | 201 (+1/-0) | 1.6...5 | 3 max. |

Dimensions in in.

| A               | B               | C          | R         |
|-----------------|-----------------|------------|-----------|
| 10.2 (+0.04/-0) | 7.91 (+0.04/-0) | 0.06...0.2 | 0.12 max. |

Installation Requirements

Mounting Angle



When installing this product in a slanted position with an incline more than 30°, the ambient temperature must not exceed 40 °C (104 °F). You may need to use forced air cooling (fan, A/C) to ensure the ambient operating temperature is 40 °C or less (104 °F or less).

Clearance

