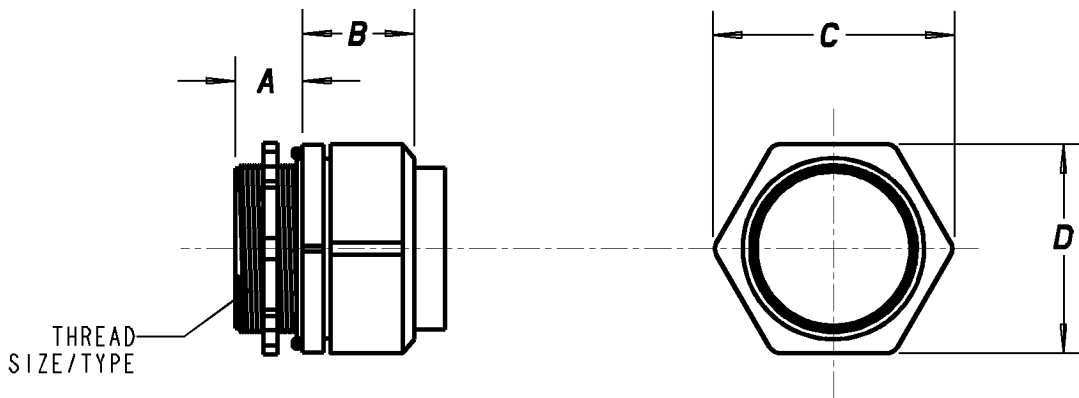
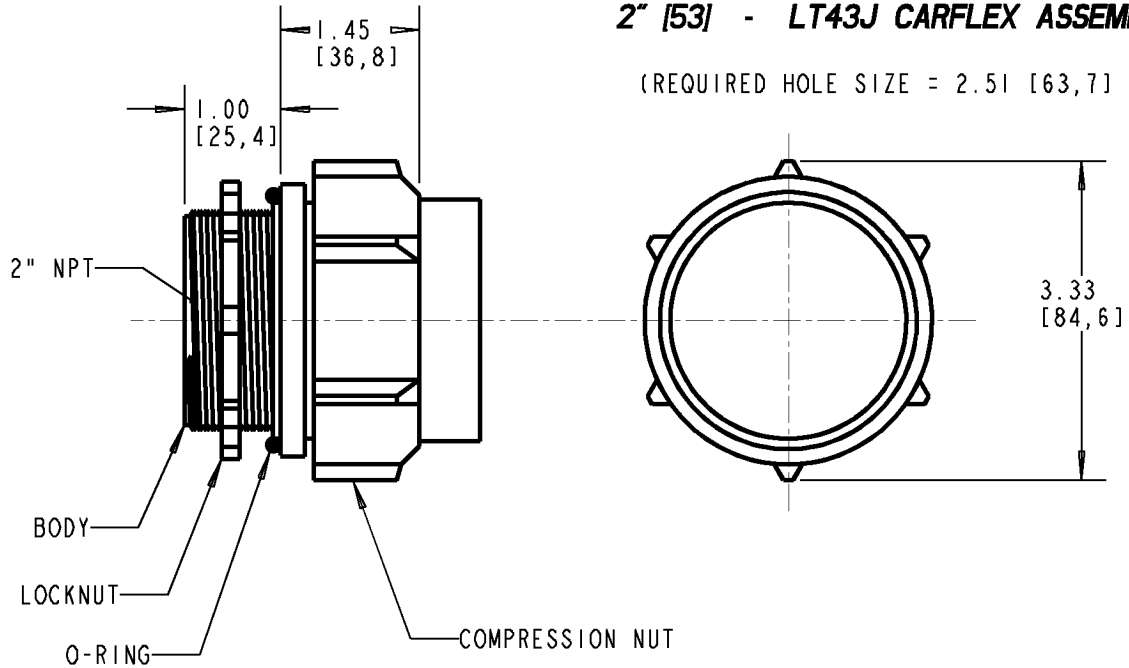


Carlton®

2" [53] - LT43J CARFLEX ASSEMBLY

(REQUIRED HOLE SIZE = 2.51 [63,7])



SIZE US [METRIC]	ASSEMBLY P/N	A	B	C	D	REQUIRED HOLE SIZE	THREAD SIZE/TYPE
1 1/4" [35]	LT43G LT43GU	.71 [18,0]	1.16 [29,6]	2.50 [63,5]	2.17 [55,1]	1.82 [46,2]	1 1/4" NPT
1 1/2" [41]	LT43H LT43HU	.75 [19,1]	1.36 [34,5]	2.78 [70,6]	2.43 [61,7]	2.06 [52,3]	1 1/2" NPT

GENERAL NOTES

- ALL DIMENSIONS ARE FOR REFERENCE ONLY.
- DIMENSIONS IN BRACKETS [] ARE IN METRIC UNITS.

REVISIONS

*** SEE ERN (****)
FOR APPROVAL SIGNATURES
& RELEASE DATE.
PROJECT NO: ****

Thomas & Betts
www.tnb.com

DESCRIPTION: **CARFLEX ASSEMBLY - STRAIGHT**

ORIGINAL PROJECT NO / (ERN NO)

/ ()

SHEET NO:

1 OF 1

REV. NO:

D

DRAWING NO:

WSD-AC02107