



Main

Range of product	Altivar
Product or component type	Line/motor choke
Product compatibility	<p>Variable speed drive ATV310 7.5 kW - motor choke - 1 per drive</p> <p>ATV31CD11N4 - line choke - 1 per drive</p> <p>Variable speed drive ATV320 15 kW 525...600 V - three phase - motor choke - 1 per drive</p> <p>ATV312HU55M3 - line choke - 1 per drive</p> <p>LXM32.D30N4 - line choke - 1 per drive</p> <p>ATV71HD18Y - line choke - 1 per drive</p> <p>ATV312HD15S6 - motor choke - 1 per drive</p> <p>ATV312HD11S6 - motor choke - 1 per drive</p> <p>ATV312HD15N4 - line choke - 1 per drive</p> <p>ATV61WD11N4C - line choke - 1 per drive</p> <p>ATV61HD15N4 - line choke - 1 per drive</p> <p>ATV71WD15N4 - line choke - 1 per drive</p> <p>Variable speed drive ATV340 7.5 kW 380...480 V - line choke - 1 per drive</p> <p>Variable speed drive ATV930 18.5 kW 500...690 V - three phase - line choke - 1 per drive</p> <p>LXM32MC10N4 - line choke - 1 per drive</p> <p>ATV312HD11N4 - motor choke - 1 per drive</p> <p>Variable speed drive ATV320 5.5 kW 200...240 V - three phase - line choke - 1 per drive</p> <p>Variable speed drive ATV320 7.5 kW 380...500 V - three phase - motor choke - 1 per drive</p> <p>Variable speed drive ATV310 11 kW - line choke - 1 per drive</p> <p>ATV312HU40M3 - line choke - 1 per drive</p> <p>Variable speed drive ATV320 5.5 kW 200...240 V - three phase - motor choke - 1 per drive</p> <p>ATV312HU40M3 - motor choke - 1 per drive</p> <p>ATV61HD22Y - line choke - 1 per drive</p> <p>Variable speed drive ATV340 11 kW 380...480 V - line choke - 1 per drive</p> <p>ATV32HD11N4 - motor choke - 1 per drive</p> <p>Variable speed drive ATV930 600 V - three phase - line choke - 25 hp - 1 per drive</p> <p>LXM32.D18N4 - line choke - 1 per drive</p> <p>Variable speed drive ATV320 15 kW 380...500 V - three phase - line choke - 1 per drive</p> <p>ATV61HU55M3 - line choke - 1 per drive</p> <p>ATV32HD11N4 - line choke - 1 per drive</p> <p>ATV12PU40M3 - motor choke - 1 per drive</p> <p>Variable speed drive ATV340 15 kW 380...480 V - line choke - 1 per drive</p> <p>LXM32.D72N4 - line choke - 1 per drive</p> <p>ATV312HU75N4 - motor choke - 1 per drive</p> <p>Variable speed drive ATV320 11 kW 380...500 V - three phase - line choke - 1 per drive</p> <p>ATV61WD11N4 - line choke - 1 per drive</p> <p>ATV61HD11N4 - line choke - 1 per drive</p> <p>ATV71WD11N4 - line choke - 1 per drive</p> <p>ATV31CU75N4 - motor choke - 1 per drive</p> <p>Variable speed drive ATV630 600 V - three phase - line choke - 30 hp - 1 per drive</p> <p>Variable speed drive ATV320 4 kW 200...240 V - three phase - motor choke - 1 per drive</p>

Disclaimer: This documentation is not intended as a substitute for and is not to be used for determining suitability or reliability of these products for specific user applications

ATV312HU75M3 - line choke - 1 per drive
 ATV61WD15N4 - line choke - 1 per drive
 Variable speed drive ATV320 15 kW 525...600 V - three phase - line choke - 1 per drive
 Variable speed drive ATV630 600 V - three phase - line choke - 25 hp - 1 per drive
 ATV31CD15N4 - line choke - 1 per drive
 ATV71PD11N4Z - line choke - 1 per drive
 ATV312HD11N4 - line choke - 1 per drive
 Variable speed drive ATV320 11 kW 380...500 V - three phase - motor choke - 1 per drive
 ATV312HD15S6 - line choke - 1 per drive
 Variable speed drive ATV320 7.5 kW 200...240 V - three phase - line choke - 1 per drive
 ATV61HD18Y - line choke - 1 per drive
 Variable speed drive ATV630 18.5 kW 500...690 V - three phase - line choke - 1 per drive
 ATV32HD15N4 - line choke - 1 per drive
 ATV71HU40M3 - line choke - 1 per drive
 Variable speed drive ATV310 7.5 kW - line choke - 1 per drive
 Variable speed drive ATV930 600 V - three phase - line choke - 30 hp - 1 per drive
 Variable speed drive ATV320 4 kW 200...240 V - three phase - line choke - 1 per drive
 ATV312HU55M3 - motor choke - 1 per drive
 Variable speed drive ATV320 7.5 kW 200...240 V - three phase - motor choke - 1 per drive
 ATV312HU75M3 - motor choke - 1 per drive
 ATV61HU40M3 - line choke - 1 per drive
 Variable speed drive ATV930 22 kW 500...690 V - three phase - line choke - 1 per drive
 ATV32HU75N4 - motor choke - 1 per drive
 Variable speed drive ATV310 11 kW - motor choke - 1 per drive
 LXM32MD85N4 - line choke - 1 per drive
 ATV71HD11N4 - line choke - 1 per drive
 Variable speed drive ATV320 11 kW 525...600 V - three phase - line choke - 1 per drive
 ATV71HD22Y - line choke - 1 per drive
 ATV31CD11N4 - motor choke - 1 per drive
 ATV71HD15N4 - line choke - 1 per drive
 Variable speed drive ATV630 22 kW 500...690 V - three phase - line choke - 1 per drive
 ATV71HU55M3 - line choke - 1 per drive
 ATV12HU40M3 - motor choke - 1 per drive
 Variable speed drive ATV320 11 kW 525...600 V - three phase - motor choke - 1 per drive
 ATV61WD15N4C - line choke - 1 per drive

Number of phases	Three phase
Range compatibility	Lexium 32 Altivar 312 Solar Easy Altivar 310 Altivar 12 Lexium 62 Altivar 71 Altivar Machine ATV340 Altivar Machine ATV320 Altivar Process ATV900 Altivar 31C Altivar 61 Lexium 52 Altivar 32 Altivar 312 Altivar Process ATV600 Easy Altivar 310L
Device application	Reduction of current harmonics Reduction of overvoltages at motor terminals
Value of inductance	1 mH
[In] rated current	31 A
Thermal losses	90 W
Electrical connection	Terminal 16 mm ² / AWG 4, 10.62...12.39 lbf.in (1.2...1.4 N.m)

Complementary

Power supply frequency	50...60 Hz
Max current	1.65 x nominal current (duration = 60 s)
Maximum voltage drop at rated load	5 %
Electrical insulation class	Class F
Minimum clearance distance	0.22 in (5.5 mm) IEC 60664
Leakage distance	11.5 mm conforming to IEC 60664
Net weight	13.23 lb(US) (6 kg)
Width	6.10 in (155 mm)

Height	6.69 in (170 mm)
Depth	5.31 in (135 mm)

Environment

Standards	EN 50178 IEC 60076 (with HD398) VDE 0160 level 1
IP degree of protection	Choke: IP00 Terminals IP10
Environmental characteristic	3B1 conforming to IEC 721-3-3 3C2 IEC 721-3-3 3S1 conforming to IEC 721-3-3
Pollution degree	2 conforming to EN 50178
Vibration resistance	1 gn (f= 13...200 Hz) conforming to IEC 60068-2-6 1.5 mm peak to peak (f= 3...13 Hz) conforming to IEC 60068-2-6
Shock resistance	15 gn 11 ms IEC 60068-2-27
Relative humidity	0...95 %
Ambient air temperature for operation	113...131 °F (45...55 °C) with current derating of 2 % per °C 0...45 °C (without current derating)
Ambient air temperature for storage	-13...158 °F (-25...70 °C)
Operating altitude	<= 1000 m without current derating 1000...3000 m with current derating 1 % per 100 m

Packing Units

Unit Type of Package 1	PCE
Number of Units in Package 1	1
Package 1 Weight	13.32 lb(US) (6.042 kg)
Package 1 Height	8.27 in (21 cm)
Package 1 width	10.00 in (25.4 cm)
Package 1 Length	9.69 in (24.6 cm)
Unit Type of Package 2	S06
Number of Units in Package 2	12
Package 2 Weight	188.90 lb(US) (85.684 kg)
Package 2 Height	28.94 in (73.5 cm)
Package 2 width	23.62 in (60 cm)
Package 2 Length	31.50 in (80 cm)

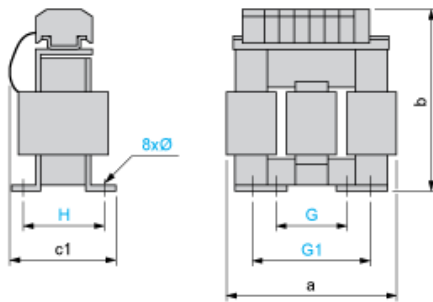
Offer Sustainability

REACH Regulation	REACH Declaration
REACH free of SVHC	Yes
EU RoHS Directive	Pro-active compliance (Product out of EU RoHS legal scope) EU RoHS Declaration
Toxic heavy metal free	Yes
Mercury free	Yes
RoHS exemption information	Yes
China RoHS Regulation	China RoHS declaration

Contractual warranty

Warranty	18 months
----------	-----------

Dimensions



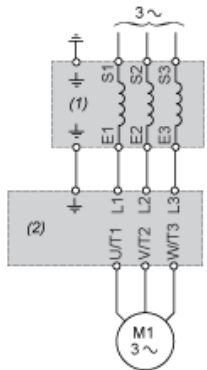
Dimensions in mm

a	b	c1	G	G1	H	Ø
155	170	135	75	107	90	6 x 12

Dimensions in in.

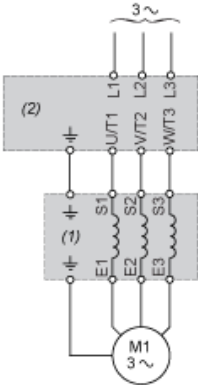
a	b	c1	G	G1	H	Ø
6.10	6.69	5.31	2.95	4.21	3.54	0.24 x 0.47

Recommended Schema - Line Choke



- (1) Line Choke
- (2) Drive

Recommended Schema - Motor Choke



- (1) Motor Choke
- (2) Drive